

**PROPRIETARY
NOTICE**

THIS DRAWING IS NORDSON EFD PROPERTY, CONTAINS PROPRIETARY INFORMATION AND MUST BE RETURNED UPON REQUEST. DO NOT CIRCULATE, REPRODUCE OR DIVULGE TO OTHER PARTIES WITHOUT THE WRITTEN CONSENT OF NORDSON EFD, LLC

REV.

DESCRIPTION

BY

DATE

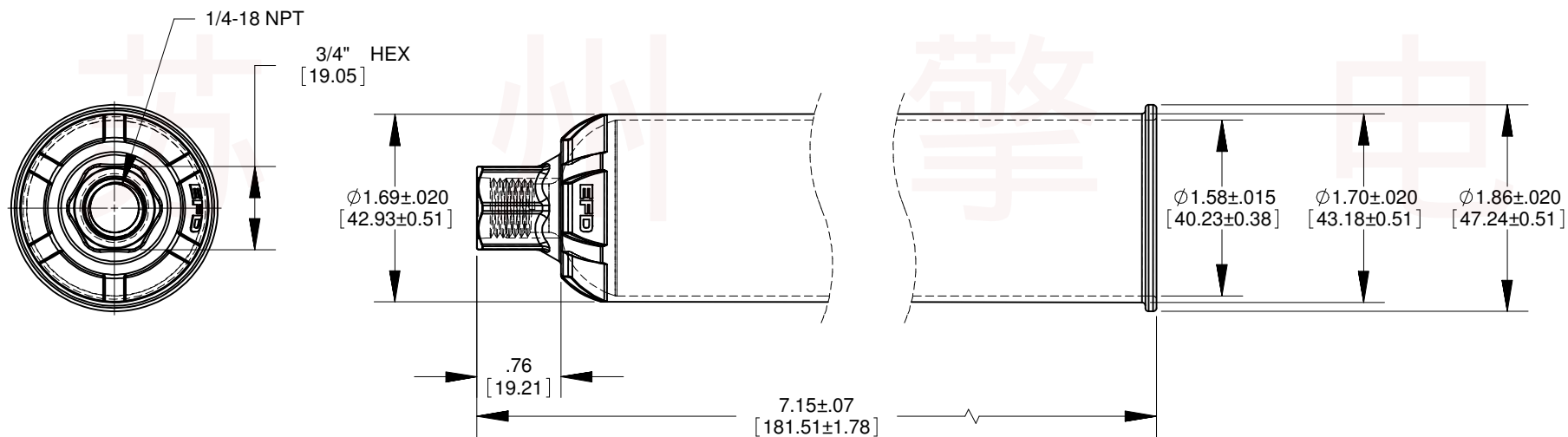
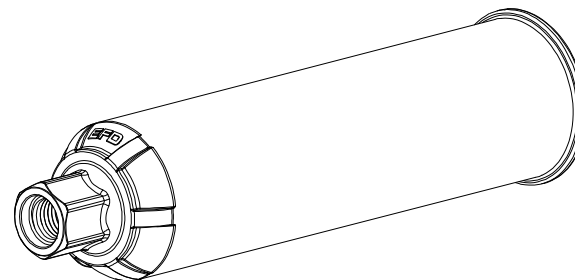


苏州擎电电子有限公司

请登陆 [HHTTP://www.qd-electron.com](http://www.qd-electron.com)

TEL:+86(512)66568575

FAX:+86(512)66568275



NOTES:

1. DIMENSIONS ARE IN INCHES [mm].
2. MATERIAL: CLARIFIED POLYPROPYLENE
3. COLOR: GREEN
4. NON TOLERANCED DIMENSIONS ARE FOR REFERENCE ONLY



40 Catamore Boulevard
East Providence
Rhode Island, USA 02914
Toll Free: 1-800-556-3484

TITLE

7014164
CARTRIDGE O 6 OZ GN

REV. CODE

01-4/7/2010

AUTH. BY: