

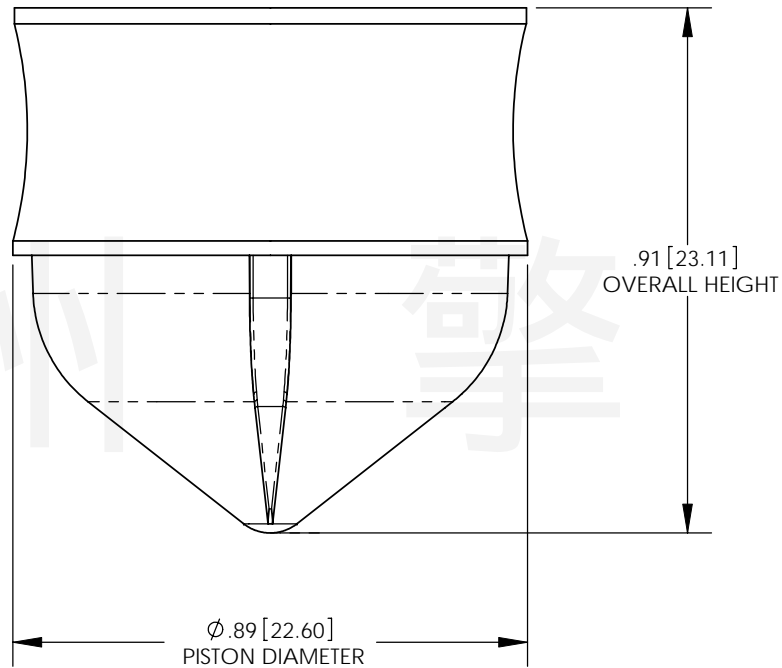
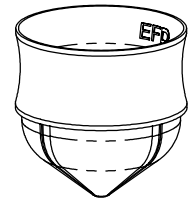


苏州擎电电子有限公司

请登陆: [HHTTP://www.qd-electron.com](http://www.qd-electron.com)

TEL:+86(512)66568575

FAX:+86(512)66568275



NOTES:

1. DIMENSIONS ARE IN INCHES [mm].
2. MATERIAL: LINEAR POLYETHYLENE
3. COLOR: BEIGE
4. DIMENSIONS ARE FOR REFERENCE PURPOSE ONLY

**EFD**<sup>®</sup>  
A NORDSON COMPANY  
Toll Free: 1-800-556-3484

977 Waterman Ave.  
East Providence  
Rhode Island, USA 02914  
Fax: 401-431-0237

TITLE

7012020 PISTON O 30/55CC BE WIPER

REV. CODE

01-4/25/2008

AUTH. BY: