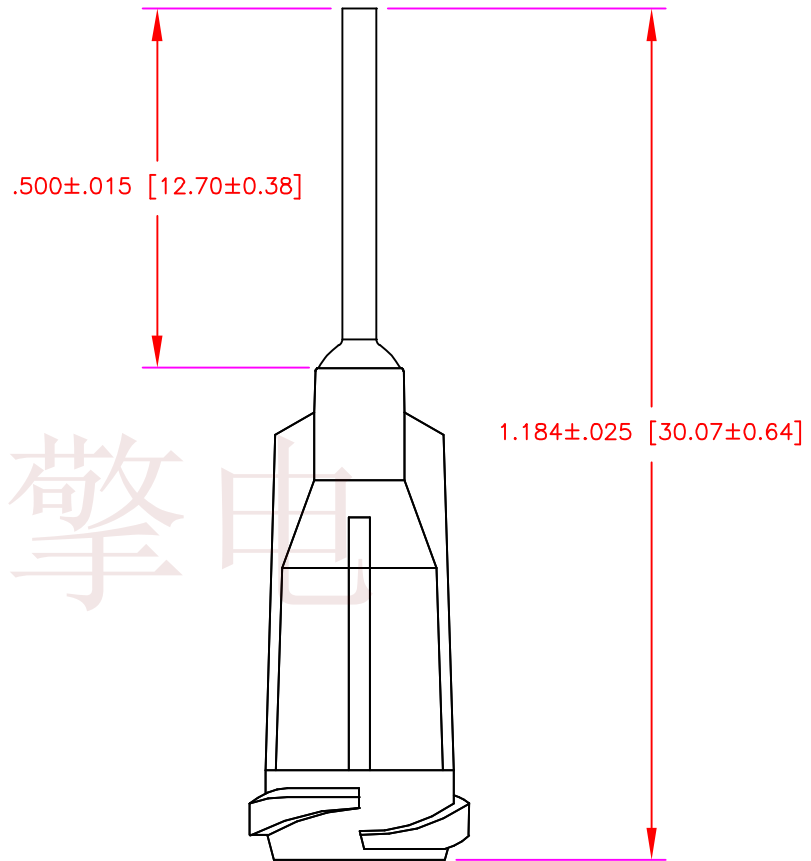


PART NO.	COLOR	O.D. MAX. MIN.	I.D. MAX. MIN.
5114	OLIVE	.0725 [1.84] .0715 [1.82]	.0615 [1.56] .0595 [1.51]
5115	AMBER	.0655 [1.66] .0645 [1.64]	.0545 [1.38] .0525 [1.33]
5118	GREEN	.0505 [1.28] .0495 [1.26]	.0345 [.88] .0315 [.80]
5120	PINK	.0360 [.91] .0355 [.90]	.0245 [.62] .0230 [.58]
5121	PURPLE	.0325 [.83] .0320 [.81]	.0210 [.53] .0195 [.50]
5122	BLUE	.0285 [.72] .0280 [.71]	.0170 [.43] .0155 [.39]
5123	ORANGE	.0255 [.65] .0250 [.64]	.0140 [.36] .0125 [.32]
5125	RED	.0205 [.52] .0200 [.51]	.0110 [.28] .0095 [.24]
5127	CLEAR	.0165 [.42] .0160 [.41]	.0090 [.21] .0075 [.19]
5130	LAVENDER	.0125 [.32] .0120 [.30]	.0070 [.18] .0055 [.14]

NOTES:

- DIMENSIONS ARE IN INCHES [mm].
- MATERIALS:
HUB: HOMOPOLYMER POLYPROPYLENE
TUBE: TYPE 304 STAINLESS STEEL – PASSIVATED



EFD

TOLL FREE: 1-800-556-3484

977 WATERMAN AVE.
EAST PROVIDENCE
RHODE ISLAND, USA, 02914
FAX: (401) 431-0237

TITLE

GENERAL PURPOSE DISPENSING TIPS – 1/2"

REV CODE

J-11/30/99

AUTH BY